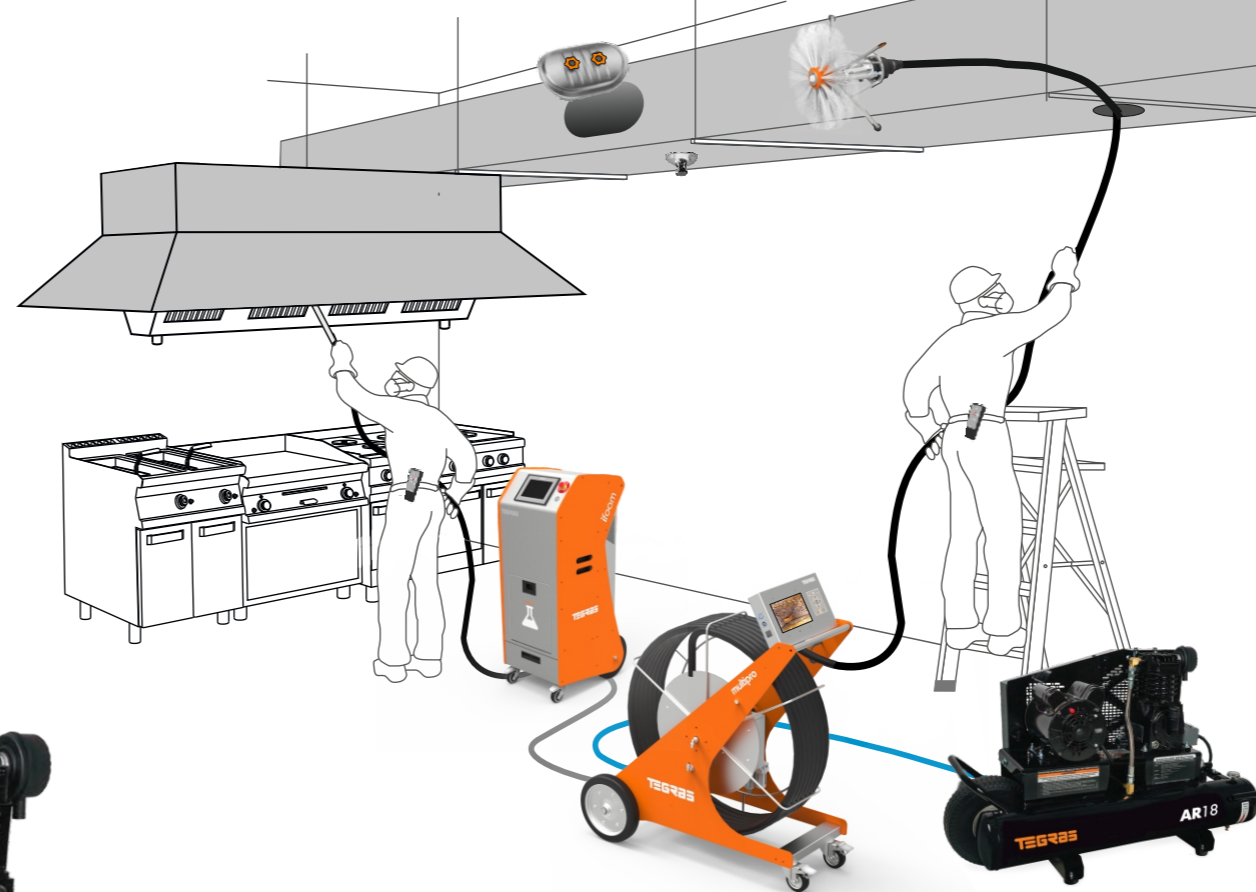


AR18

Compressed air generator for brushing robots

Pneumatic brushing equipment requires compressed air for operation. For this reason, we have designed air generators that adapt to the requirements of work to be done with the best performance: Maximum air flow and pressure in single-phase connection, low noise level for night work, being able to work continuously without heating, and also a great portability. This compressor is indicated for those places where a voltage of 110V - 60 Hz is used.



TECHNICAL FEATURES

Power supply	110V - 60Hz
Nominal pressure	9 bar 125 psi
Flow rate [6,27 bar]	9,2 cfm 260 l/min
Motor power	2.0 HP - 120V - 18.8A
Sound level	79 dB
Operating principle	Piston
Tank size	30 litres 8 gal
Plug type	NEMA 5-20P
Dimensions [L x W x H]	1135 x 470 x 635 mm 44,5 x 18,5 x 25 inch
Weight	84 kg 183 lb

COMPATIBLE EQUIPMENT ▼



MULTIPRO. Extraction duct cleaning equipment.



FORTE. Pneumatic duct cleaning brushing robot.

