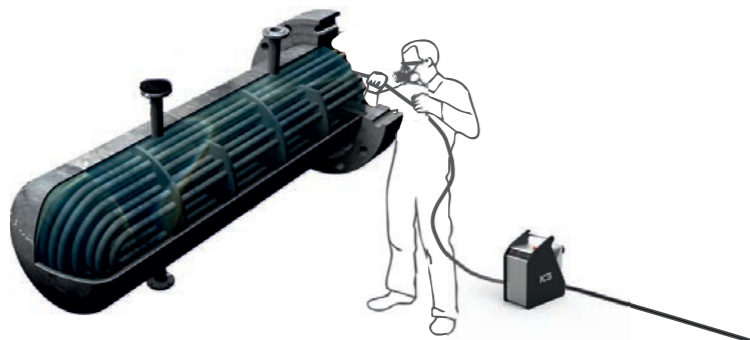








BrushesIG

For ducts & pipes cleaning



EXCHANGER

				
	NYLON	REFERENCE	STEEL	REFERENCE
Shaft Ø 6 mm	Ø 12 mm	CP2080024	Ø 12 mm	CP2080029
	Ø 14 mm	CP2080035	Ø 14 mm	CP2080030
	Ø 16 mm	CP2080026	Ø 16 mm	CP2080031
	Ø 18 mm	CP2080027	Ø 18 mm	CP2080032
	Ø 20 mm	CP2080028	Ø 20 mm	CP2080033
	5 brushes pack Ø 12 a 20 mm	CP2080034	5 brushes pack Ø 12 a 20 mm	CP2080036

				
	NYLON	REFERENCE	STEEL	REFERENCE
Shaft Ø 10 mm	Ø 30 mm	CP2060030	Ø 30 mm	CP2050030
	Ø 40 mm	CP2060040	Ø 40 mm	CP2050040
	Ø 50 mm	CP2060050	Ø 50 mm	CP2050050
	Ø 60 mm	CP2060060	Ø 60 mm	CP2050060
	Ø 70 mm	CP2060070	Ø 70 mm	CP2050070
	Ø 80 mm	CP2060080	Ø 80 mm	CP2050080
	6 brushes pack Ø 30 a 80 mm	CP2080037	6 brushes pack Ø 30 a 80 mm	CP2080038

CHIMNEY

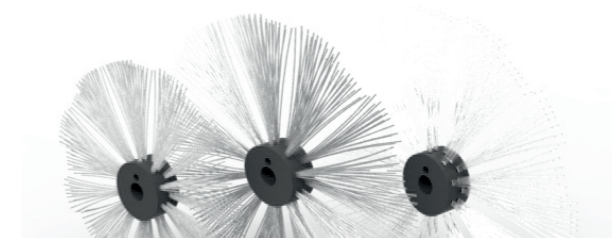
		PVC	REFERENCE
Shaft Ø 10 mm	Ø 100 mm		CP2040100
	Ø 150 mm		CP2040150
	Ø 200 mm		CP2040200
	Ø 250 mm		CP2040250
	Ø 300 mm		CP2040300
	Ø 400 mm		CP2040400
	6 brushes pack Ø100 a 400 mm		CP2080039

		STEEL	REFERENCE
Shaft Ø 10 mm	Ø 100 mm		CP2030100
	Ø 150 mm		CP2030150
	Ø 200 mm		CP2030200
	Ø 250 mm		CP2030250
	Ø 300 mm		CP2030300
	Ø 400 mm		CP2030400
	6 brushes pack Ø100 a 400 mm		CP2080040





BRUSHES FOR BRUSHING EQUIPMENT ATEX ZONE - FORTEX



ANTIESTATICS

NYLON	REFERENCE
Ø 250 mm	CP3000250
Ø 300 mm	CP3000300
Ø 400 mm	CP3000400
Ø 600 mm	CP3000600
Ø 700 mm	CP3000700
Ø 800 mm	CP3000800



BRUSHES FOR EXTREME CLEANING

Extreme brushes

The extreme brushes are designed to face the most demanding cleanings in ducts of extraction systems measuring between 300 and 700 millimetres in diameter.

In the brush holder case you can find the core, the different blades, and the knives, which will allow you to adapt to the size of the duct to be cleaned.



PACK EXTREME BRUSHES	
DIAMETER [mm]	REFERENCE
Ø 300-Ø400-Ø 500-Ø 600-Ø 700	CP2300515

TEINNOVA®



teinnovacleaning.com

